



General Description

The LIMMOD is an analog standard cell for UHF RFID applications. The cell consists of two parts. First section is a limiter that limits an input voltage to 3,4volt maximum level. Second section is a modulator which changes the electrical field of an antenna signal in an RFID tag chip. The limiter protects the following circuitry against higher input voltage, e.g. in close field proximity.

The modulator attenuates the incoming antenna signal and has to be stimulated accordingly by a digital core. An RFID reader at the other end of the communication channel demodulates the received TAG signal. This cell can be used with minor changes for HF (13.56MHz) tag ICs as well.

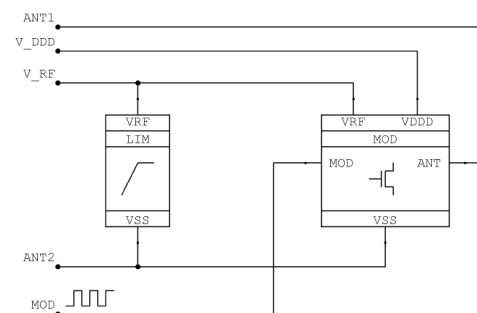
Ratings, Parameters and Conditions

Parameter	Symbol	Min	Typ	Max	Unit	Comment
Antenna Power	P_{ANT}			1000	μW	General condition
Ambient Temperature	Temp		27		$^{\circ}C$	General condition
Limiter						
Supply Current	I_{LIM}			0.3	μA	$P_{ANT} < 60\mu W$
	I_{LIM}	0.3		105	μA	$P_{ANT} > 60\mu W$
Supply Voltage	V_{RF}			3,42	V	Rectifier voltage
Modulator						
Cycle Time (modulation signal)	t_{Mlow}		1		μs	Basic condition
	t_{Mhigh}		1		μs	Basic condition
Supply Voltage (digital part)	V_{DDD}		1,2		V	Basic condition
Supply Voltage	V_{RF}			3,42	V	Limiter voltage
Supply Current	I_{DD}			340	nA	during modulation period
Antenna Current	I_{Ant}			1,4	mA	during modulation period
Cycle Time (modulated antenna signal)	t_{Alow}	see modulation signal			μs	
	t_{Ahigh}	see modulation signal			μs	

IO-Description

Interface	I/O	Function	Comment
ANT1	In-/Output	Antenna	Signal
ANT2	In-/Output	Antenna	Ground
V_{RF}	Input	Analog	Rectifier voltage
V_{DDD}	Input	Analog	Supply Voltage for digital part
MOD	Input	Digital	Modulation signal

Symbol / external schematic



For more information please contact
PE GmbH at:
info@pe-gmbh.com

or visit our web site at:
www.pe-gmbh.com



Dieses Projekt wird mit Mitteln des Europäischen Sozialfonds (ESF) gefördert. Es erzeugt einen gemeinschaftlichen Mehrwert „Investition in Ihre Zukunft“.