



**General Description**

The PE\_USB1.1 features full protocol compatibility according to the standard. The technology independent USB BUS interface allows fast turn around times for the integration of USB functionality.

**Features**

- USB 1.1 standard compliant
- low/full speed support
- supports all transfer types
- variable packet sizes
- up to 7 end points

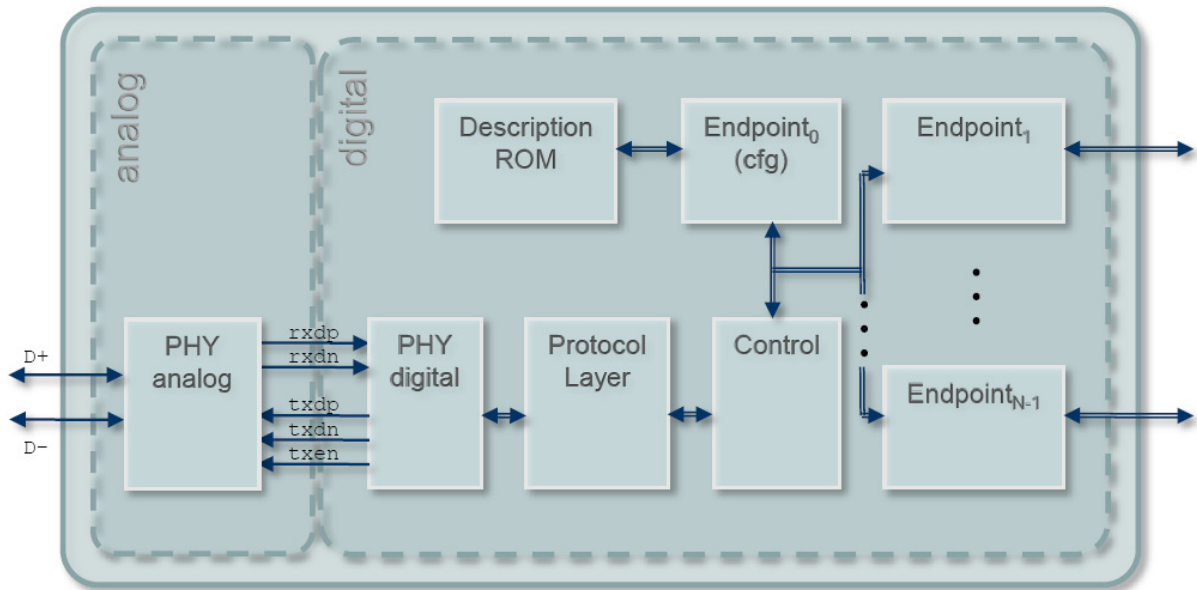
**Applications**

- variety of bus type transfer (i.e.USB to RS232, USB to FIFO a.o.)
- device interface to USB bus applications
- IP cell for fast turn around ASIC implementation

**Ratings, Parameters and Conditions**

- maximum data rate ..... 12 Mbit/s
- silicon area (0.35µ CMOS)<sup>1)</sup> ..... < 1.5 mm<sup>2</sup>
- silicon area (0.18µ CMOS)<sup>1)</sup> ..... < 0.2 mm<sup>2</sup>
- operating frequency ..... 48 MHz
- maximum frequency ..... 150 MHz

<sup>1)</sup> Includes 8kbit configuration RAM. Size can be reduced depending on max. configuration packet length.



**Internal building blocks**

For more information please contact  
 PE GmbH at:  
 info@pe-gmbh.com

or visit our web site at:  
 www.pe-gmbh.com